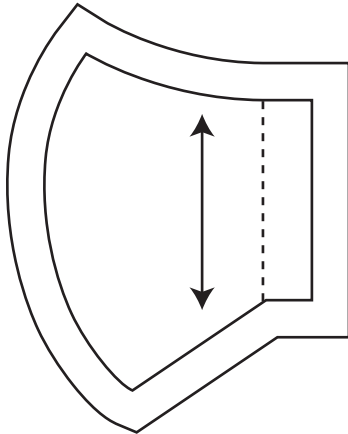
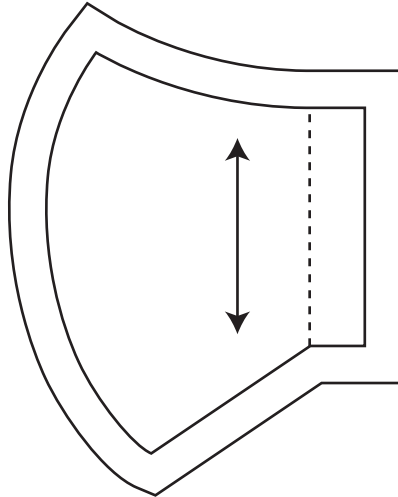


Mask★Pattern♪

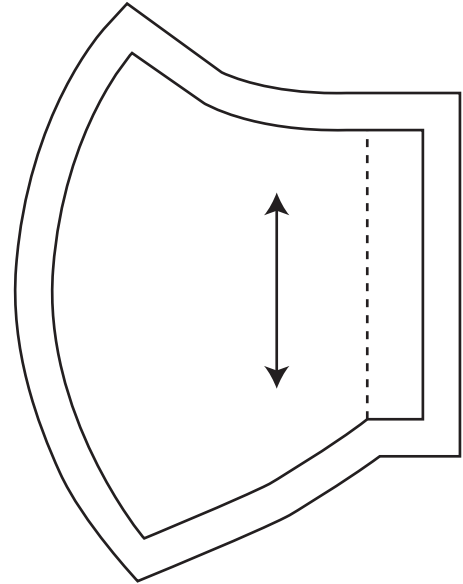
Size for baby



Size for child



Size for adult



★ You can create 3 size of masks

- ☆ 1.0cm seam allowance
- ☆ ——— Cutting line
- ☆ ——— Stitching line
- ☆ Arrows show fabric grain direction

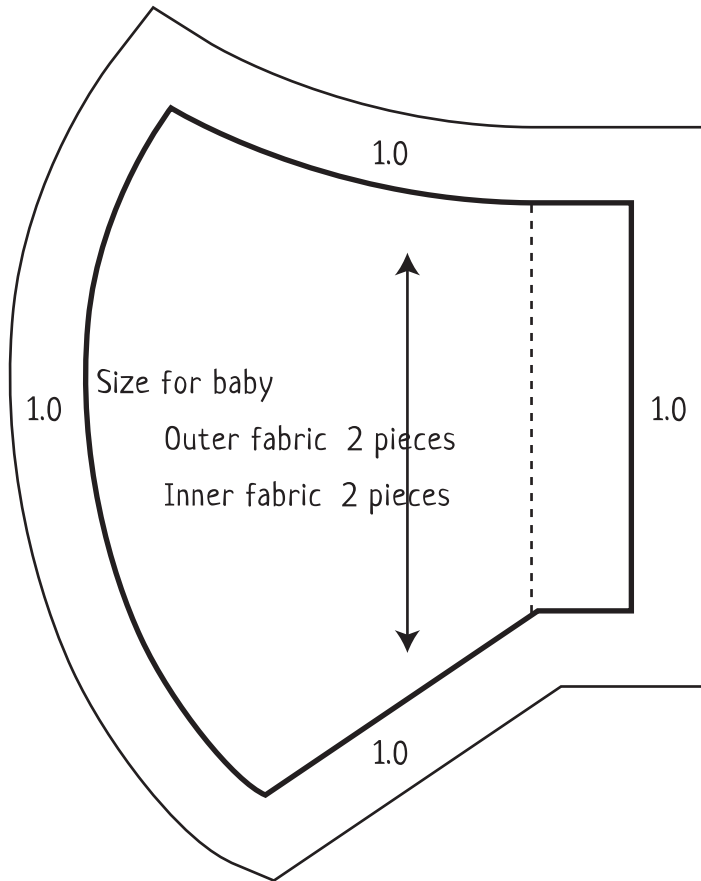
<Sizes>

	Finished size	Length of elastic band	Length of finished elastic band
For baby (9months~3 years)	8.5cm × 12.5cm	29cm × 2 pieces	26cm × 2 pieces
For child (5 years~9 years)	11cm × 14.5cm	31cm × 2 pieces	28cm × 2 pieces
For adult	13cm × 17cm	35cm × 2 pieces	32cm × 2 pieces

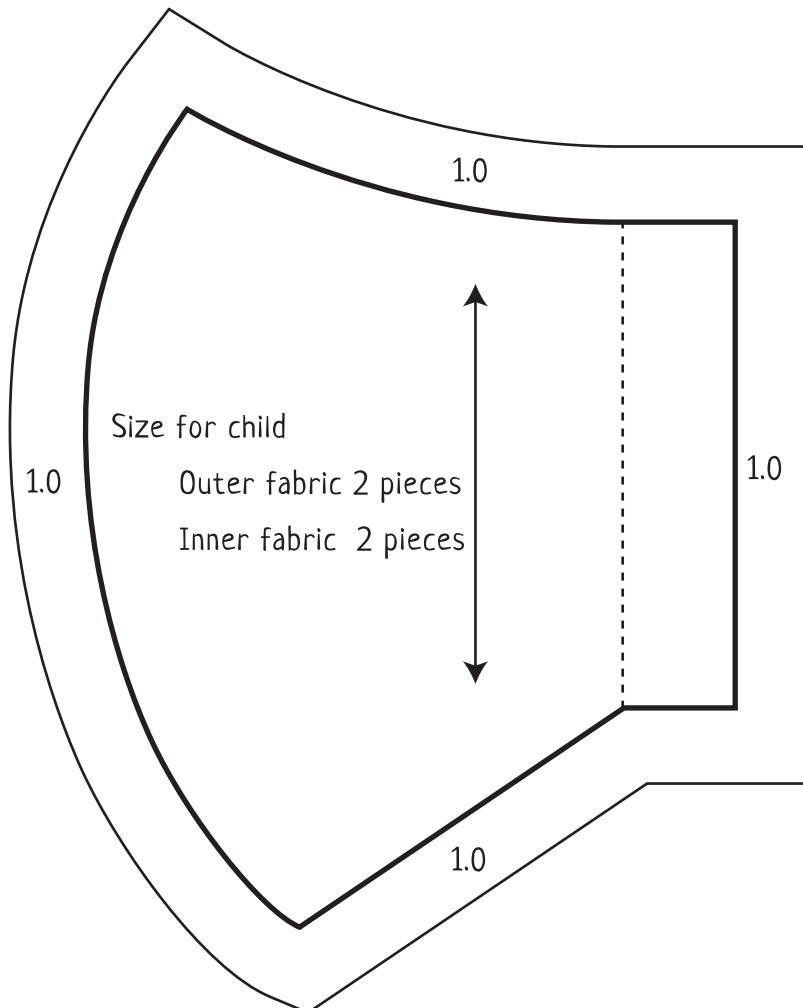
- * The length of elastic band is the length of finished elastic band plus 3 cm seam allowance.
- * Above measurements are for reference. You may adjust accordingly.

Actual size

Size for baby



Size for child



Actual size

